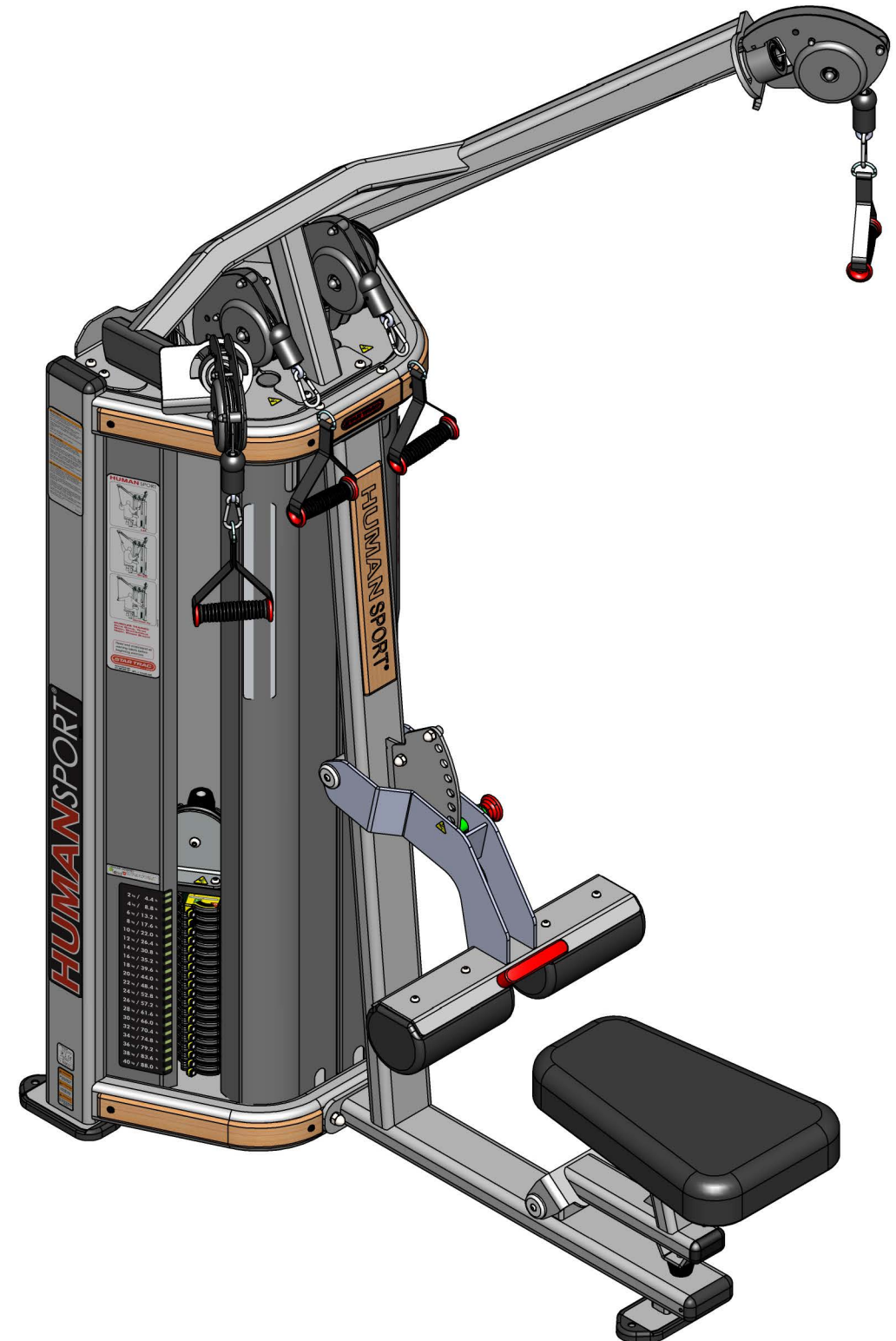




**Red: PAINTED ITEMS**  
**Blue: KITS**

1. All labeled components are to be assembled before shipment unless otherwise noted.
2. All bearings are to be pressed in with force applied to outer ring only.
3. All hardware to be torqued to specs listed in chart below.
4. Special notes if any are shown below.

ITEM	PART NO.	QTY.	DESCRIPTION	ITEM	PART NO.	QTY.	DESCRIPTION
1	01-1011	2	Allen Socket Cap Head Bolt Serrated Shoulder M12-1.75x70mm	46	61-2005	1	TOP PLATE WELDMENT - HSLP2
2	01-9315	4	BOLT, M6X1.00, 16MM, HHC, HE, CS	47	61-2012	1	VERTICAL FRAME WELDMENT - HSLP2
3	01-9319	2	SCREW, M10 X 1.5, 90MM, BHC, HK, ZP	48	63-2003	1	THIGH ADJ. WELDMENT - HSLP2
4	02-4086	8	SCREW, M6 X 16 PAN TORX, ZP, THD FORMER	49	65-2001B	1	SEAT BOTTOM WELDMENT - HSLP
5	02-9318	2	SCREW, M10-1.5x16 SHC, HK, AS, ZP	50	68-2007	1	BOOM WELDMENT - HSLP2
6	02-9322	2	SCREW M10 X 1.5 20MM BHC HK, ZP	51	730-0143	4	CLIP, CARABINER, 1/4" DIA X 2 3/4 L.
7	02-9323	4	SCREW M6 X 1.0 20MM BHC HK ZP	52	730-0382-00XX	1	PAD, BENCH
8	02-9328	4	SCREW, M8 X 1.25, 30mm, BHC, HK, ZP	53	730-1559	4	GUIDE RODE, Ø22MM X 1438MM
9	02-9329	6	SCREW M10 X 1.5, 25 MM BHC HK, ZP	54	731-0040	4	STOP, Ø50X26, RUBBER
10	03-4067	4	EXTRUDED U-NUT M8 X 1.25	55	731-0111	4	STOP, BUMPER, WGT PLT
11	03-4248	6	Cage Nut 10mm for Panel 4.1 - 5.3mm	56	731-0112	4	SET COLLAR, GUIDE ROD, 22.4mm I.D.
12	03-5203	8	NUT, M10x1.5, ACORN, CL6	57	731-0124	4	CAP, GUIDE ROD, RUBBER
13	03-5204	2	NUT, M12x1.75, ACORN, CL6	58	731-0165	4	CAP, PLASTIC, PULLEY, Ø120mm
14	04-5251	5	LOCK WASHER, M6	59	731-0169	10	SCREW, M8X1.25, 20MM, BHC, HK, ZP
15	04-5252	29	LOCK WASHER, M8	60	731-0173-00XX	2	ASSY, KNEE PAD, STD
16	04-5253	24	LOCK WASHER, M10	61	731-0209	3	CAP, END, 110 X 50
17	04-5256	2	LOCK WASHER M12	62	731-0225	4	SCREW, M3.5 X 9.5, SELF TAPPING
18	050-2022	1	STICKER, STAR TRAC, DECO, 23MM X 99MM	63	731-0359	8	SCREW, M8 X 1.25, 25mm, BHC, HK, ZP
19	050-2212	2	STICKER, SWITCH, HS	64	731-0362	4	SCREW, M10 X 1.5, 45MM, BHC, HK, ZP
20	050-2213	1	DECAL, WEIGHT STACK - HS	65	731-0363	2	NUT, M10X1.5, NYLOC
21	050-2224	1	STICKER, LNL, HS (LEFT & RIGHT)	66	731-0364	2	SCREW, M8X1.25, 45mm, BHC, HK, ZP
22	050-2225	2	DECAL, WARNING MULTI LANGUAGE - HS	67	731-0365	14	NUT, M8 X 1.25, NYLOC JAM
23	050-2230	1	PLACARD, LAT PULLEY, HS	68	731-0367	6	WASHER, PLAIN, M10
24	06-8014	1	CABLE, HSLP - RIGHT	69	731-0368	4	SCREW, M8 X 1.25, 40mm, BHC, HK, ZP
25	06-8014	1	CABLE, HSLP - LEFT	70	731-0373	4	WASHER, PLAIN, M6
26	09-8341	4	120mm OD pulley with 17mm ID Bearing	71	731-0389	4	SCREW, M8 X 1.25, 35mm, BHC, HK, ZP
27	12-1655	8	PLUG-PRY OUT, .205 DIA	72	731-0512	8	STICKER, CAUTION, PINCH
28	12-1688	2	HumanSport Tower Decal	73	731-0517	2	STICKER, WARNING, BOLT DOWN
29	12-8012	1	TAG, ASSEM. DIMS, HSLP	74	731-1357	4	CAP, BEARING 1 3/4 RND
30	12-8017	1	Decal Thigh Pad Range- HSLP	75	731-1448	3	NUT, M8 x 1.25, ACORN, CL6
31	27-0035	2	Cover, Pulley, Flat Steel	76	731-2073	1	CAP, TUBE, 44.5 X 76.2
32	27-0036	6	SPACER, PULLEY BRACKET, HUMAN SPORT	77	731-2647	3	FOOT, LONG, LEVERAGE
33	27-0040	2	Bracket, Pulley Top Weight, Front, HS	78	731-3195	6	SCREW, M10 X 1.5, 30MM, BHC, HK, ZP
34	27-0041	2	Bracket, Pulley Top Weight, Rear, HS	79	731-5725	1	RIVET NUT, HEX HEAD, M8
35	27-0047	4	ASSY, SWIVEL, HANDLE, HUMAN SPORT	80	731-7666	1	ASSY, PULL PIN, 12.5 X 102.5 PIN
36	27-0060	1	Shield, HS Tower, Front, Left	81	91-999	1	Paint (1.5 lbs)
37	27-0061	1	Shield, HS Tower, Front Right	82	95-0687	4	KIT SWIVELING PULLEY ASSEMBLY
38	27-0062	1	Shield, HS Tower, Rear	83	95-0695	1	Human Sport Carbon Fiber Trim Kit
39	27-0063	2	Shield, HS Tower, Left/Right	84	95-0696	1	Human Sport Carbon Fiber Trim Kit
40	27-0083	1	PLATE SELECTOR THIGH PAD	85	OPT-WT-33	1	Human Sport Weight Stack-Right
41	27-0085	4	Hub Adapter Molded	86	OPT-WT-33	1	Human Sport Weight Stack-Left
42	27-0087	2	Axle, Pivot, Seat Back, HS-AC	87	SM20473	1	TYRAP, 1/8" X 4"
43	27-0234	4	GRIP HANDLE, STARTRAC, RED, 6"				
44	27-0277	1	ASSEMBLY, MOLDED HANDLE, RED				
45	60-2000	1	Human Sport Weight Tower				



Customer Service & Parts 800-503-1221  
 General Parts Requests: support@startrac.com  
 Core Health and Fitness, LLC.  
 support.startrac.com

## HUMAN SPORT LAT PULLEY HSLP2

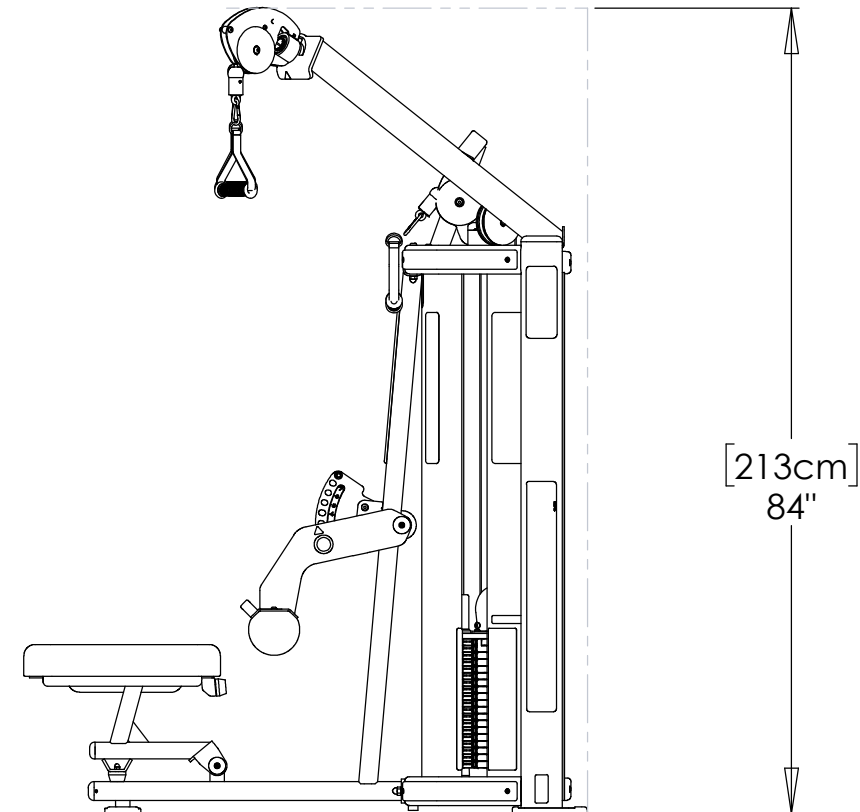
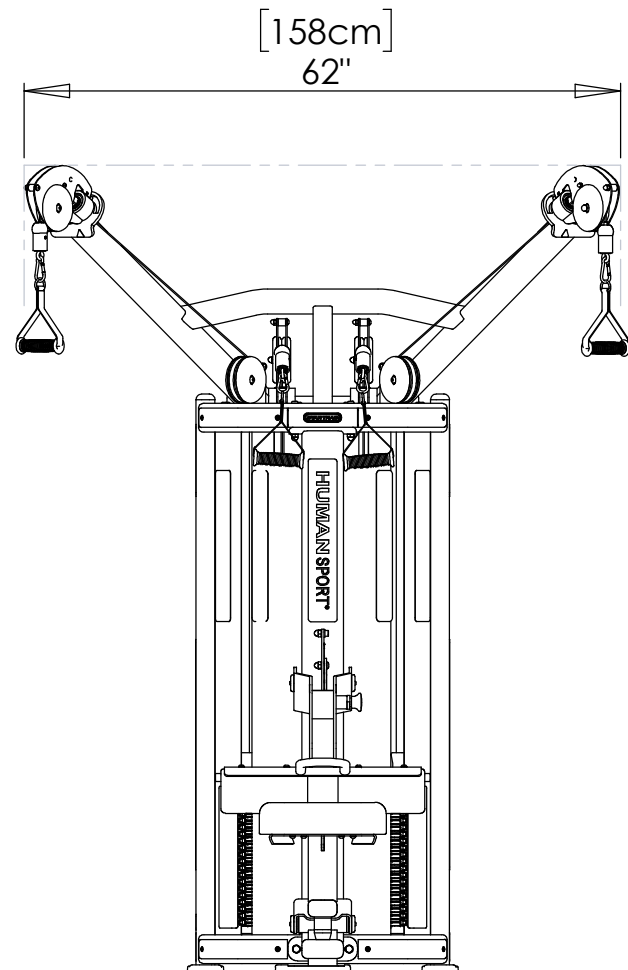
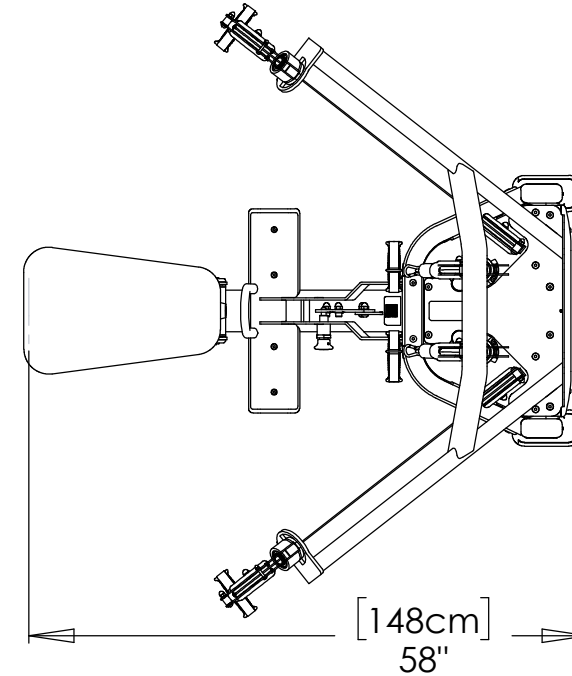
REV L

Bolt Torque Specifications		
Size	CL 8.8	CL 10.9
	Torque (N-M)	Torque (N-M)
M4-.7	3.1	
M6-1	10.4	15.5
M8-1.25	25	37
M10-1.5	51	75
M12-1.75	87	160
M14-2	140	205

**Red: PAINTED ITEMS**  
**Blue: KITS**

1. All labeled components are to be assembled before shipment unless otherwise noted.
2. All bearings are to be pressed in with force applied to outer ring only.
3. All hardware to be torqued to specs listed in chart below.
4. Special notes if any are shown below.

HSLP2 4/8/2015		
Description	US	Metric
Width	58"	148 cm
Depth	62"	158 cm
Height	84"	213 cm
Weight	700 lbs	317 Kgs



Customer Service & Parts 800-503-1221  
 General Parts Requests: support@startrac.com  
 Core Health and Fitness, LLC.  
[support.startrac.com](http://support.startrac.com)

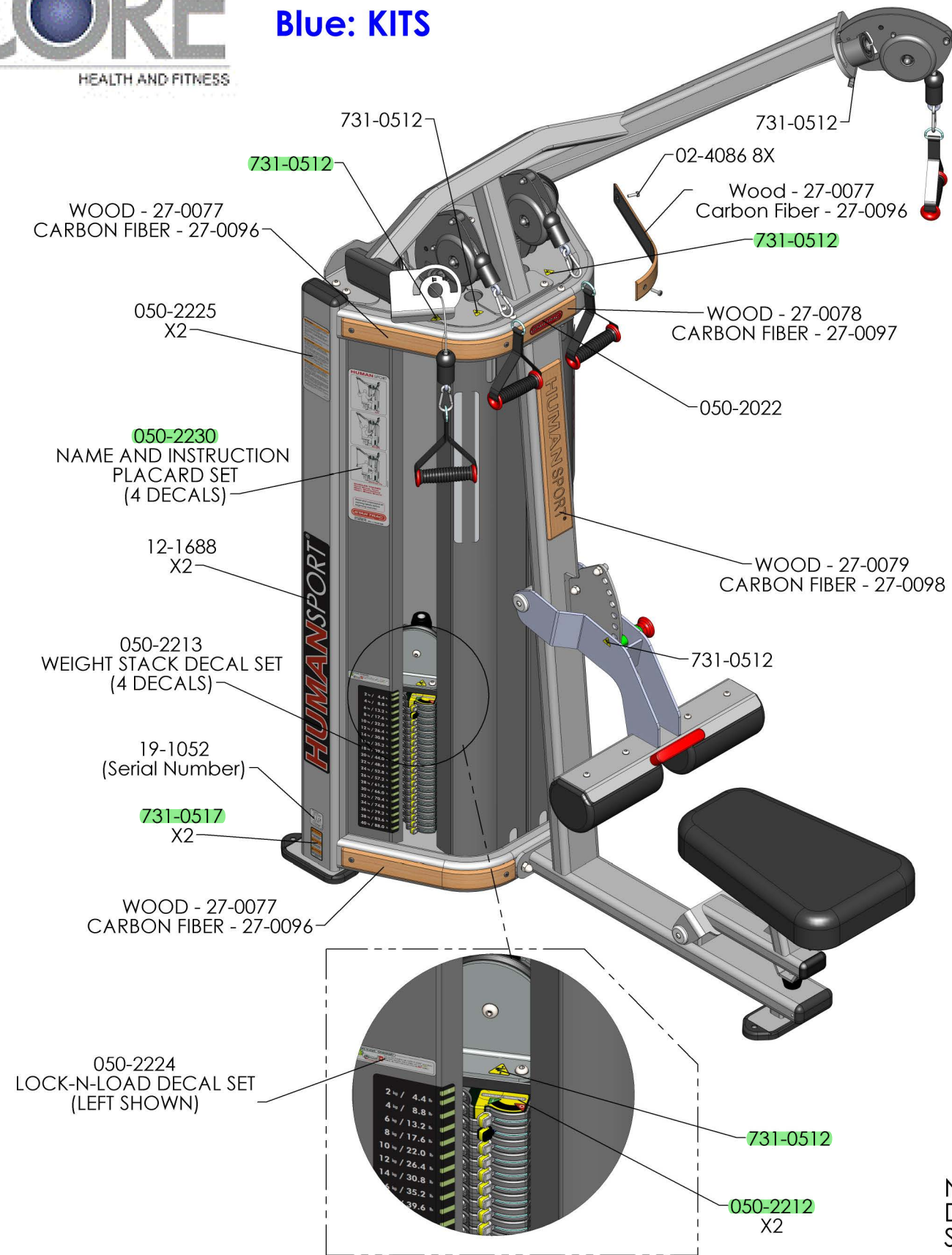
**HUMAN SPORT LAT PULLEY**  
**HSLP2**

REV L

Bolt Torque Specifications		
Size	CL 8.8	CL 10.9
	Torque (N-M)	Torque (N-M)
M4-7	3.1	
M6-1	10.4	15.5
M8-1.25	25	37
M10-1.5	51	75
M12-1.75	87	160
M14-2	140	205

**Red: PAINTED ITEMS**

**Blue: KITS**



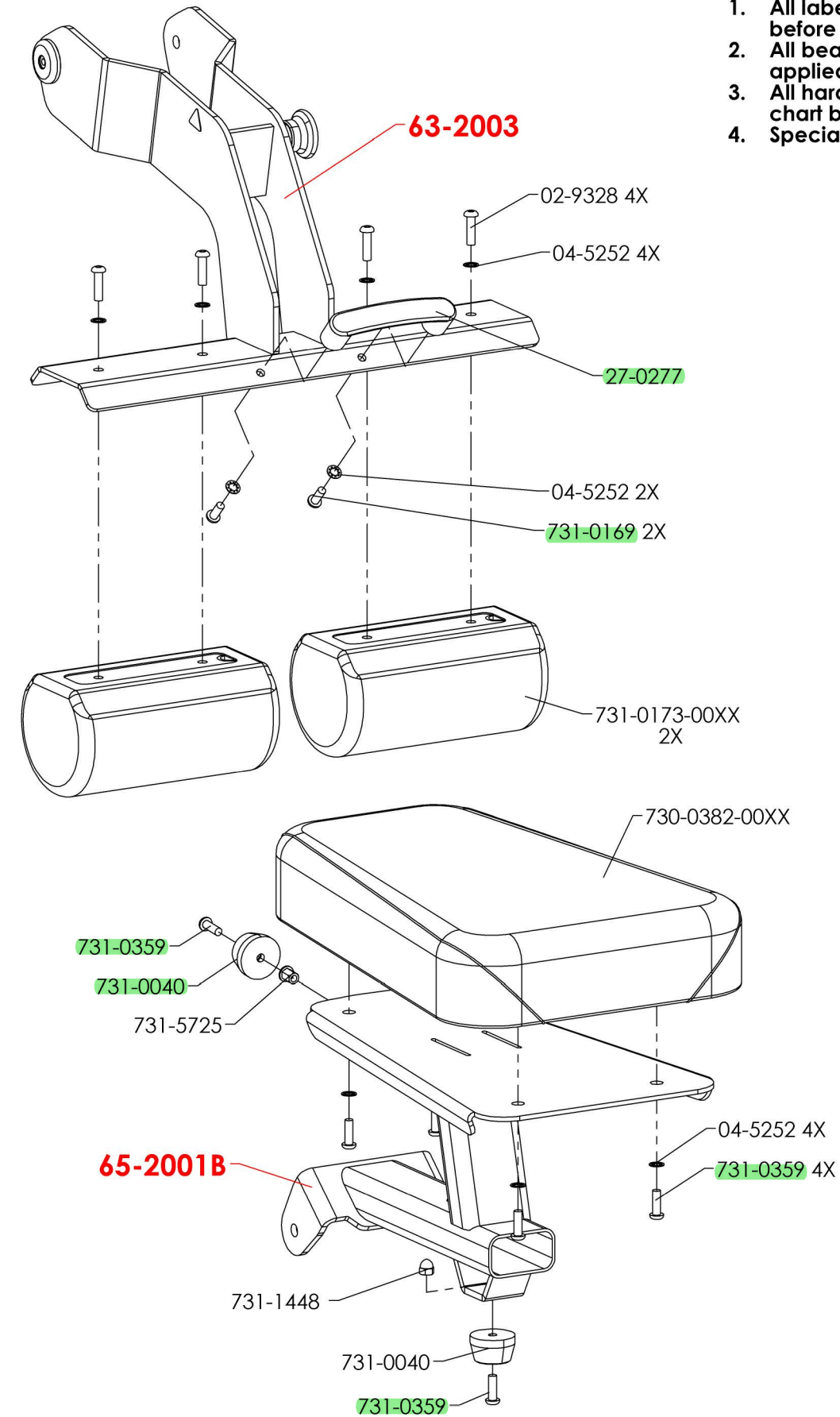
1. All labeled components are to be assembled before shipment unless otherwise noted.
2. All bearings are to be pressed in with force applied to outer ring only.
3. All hardware to be torqued to specs listed in chart below.
4. Special notes if any are shown below.



NOTE:  
DECAL APPLICATION IS THE  
SAME FOR BOTH SIDES.

**Red: PAINTED ITEMS**

**Blue: KITS**

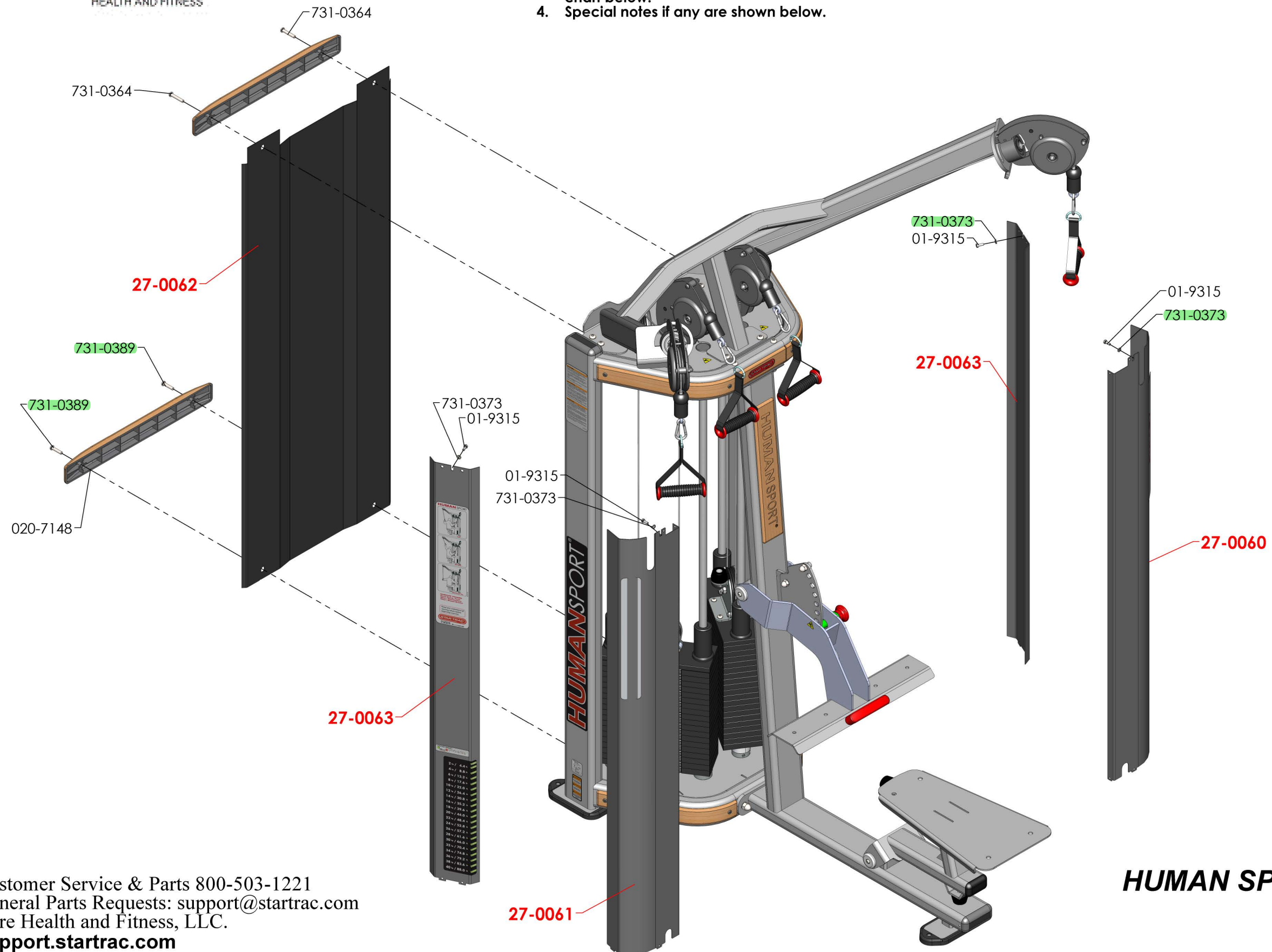


1. All labeled components are to be assembled before shipment unless otherwise noted.
2. All bearings are to be pressed in with force applied to outer ring only.
3. All hardware to be torqued to specs listed in chart below.
4. Special notes if any are shown below.

**Red: PAINTED ITEMS**

**Blue: KITS**

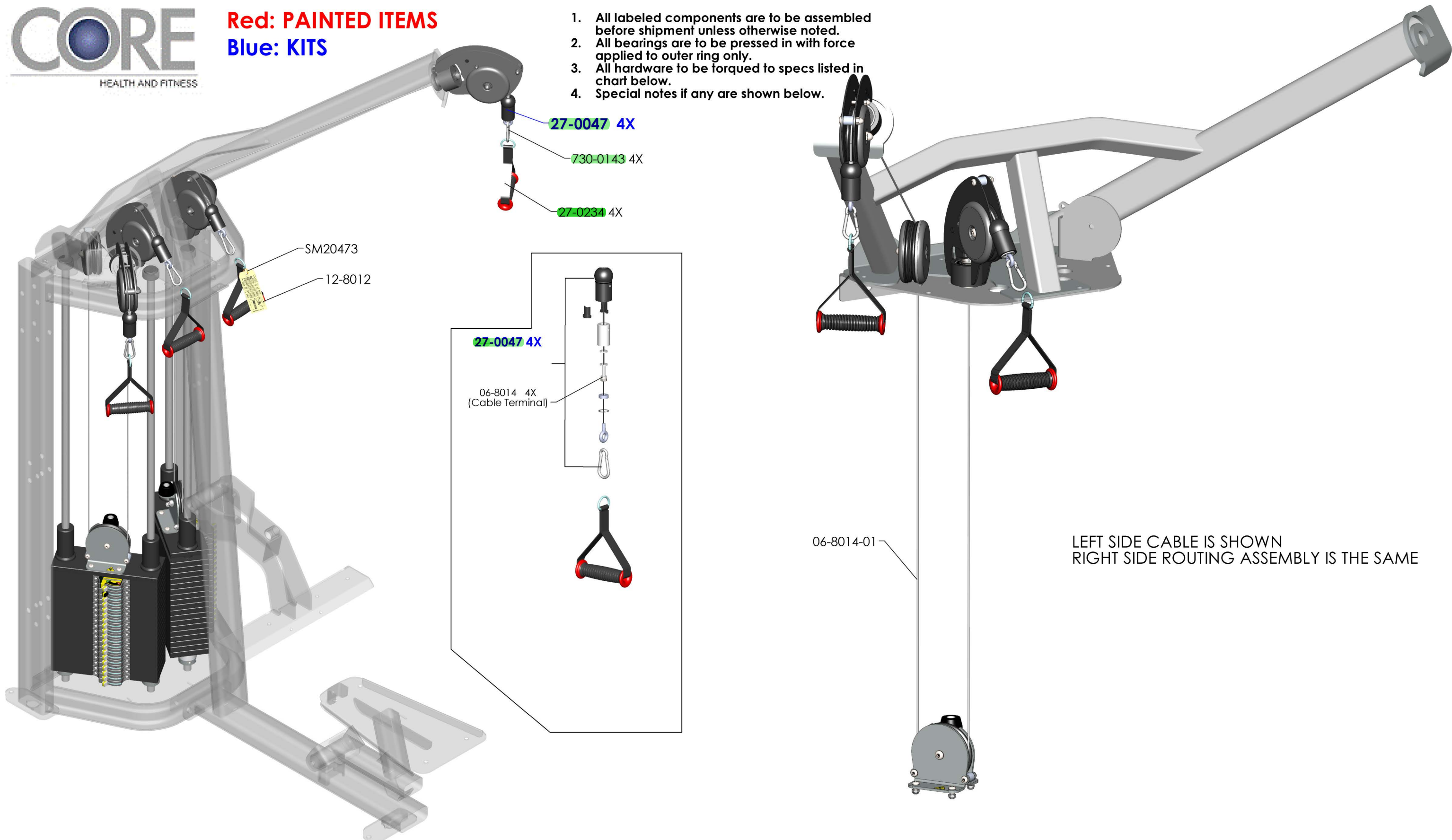
1. All labeled components are to be assembled before shipment unless otherwise noted.
2. All bearings are to be pressed in with force applied to outer ring only.
3. All hardware to be torqued to specs listed in chart below.
4. Special notes if any are shown below.



**Red: PAINTED ITEMS**

**Blue: KITS**

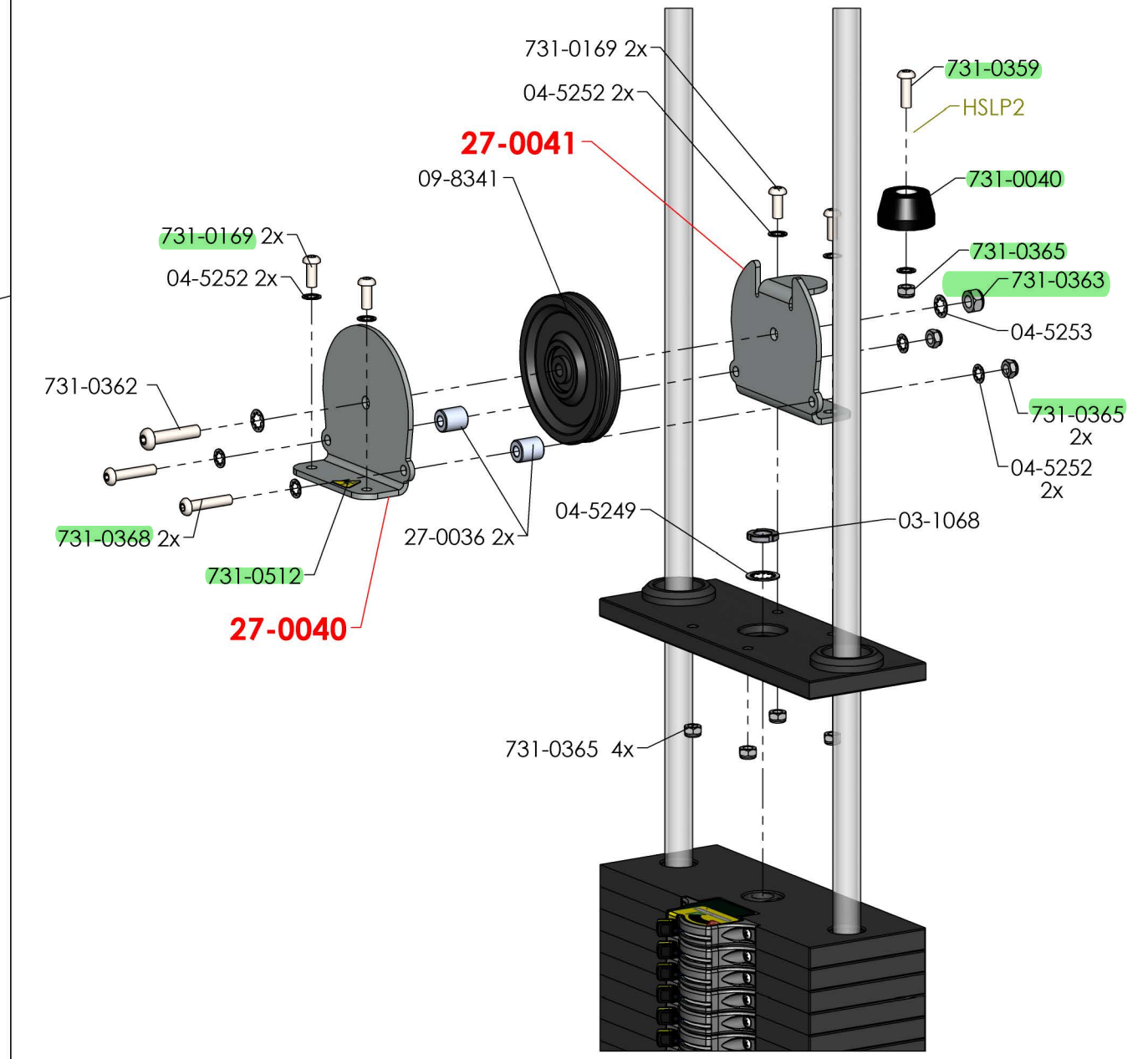
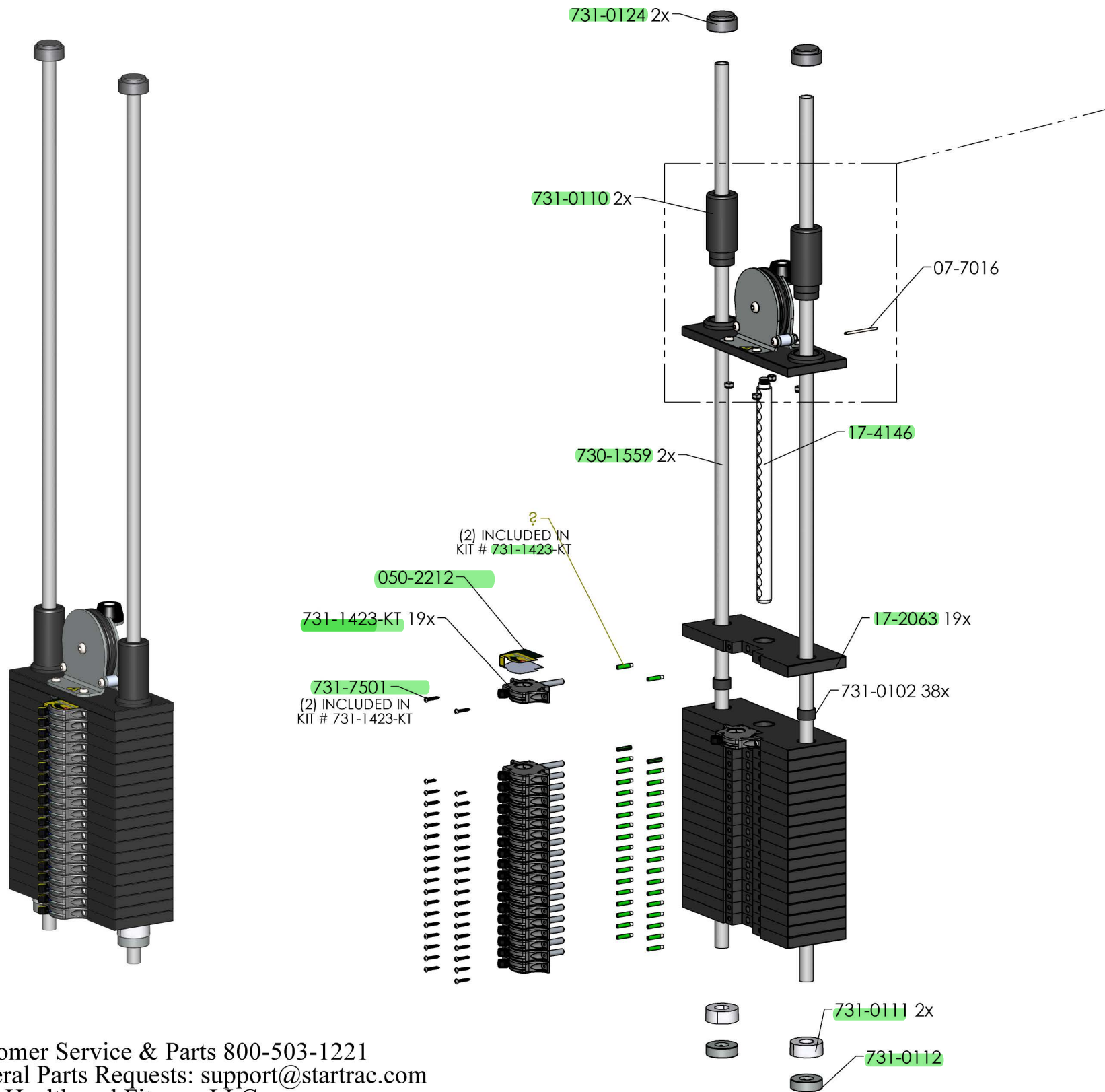
1. All labeled components are to be assembled before shipment unless otherwise noted.
2. All bearings are to be pressed in with force applied to outer ring only.
3. All hardware to be torqued to specs listed in chart below.
4. Special notes if any are shown below.



**Red: PAINTED ITEMS**

**Blue: KITS**

1. All labeled components are to be assembled before shipment unless otherwise noted.
2. All bearings are to be pressed in with force applied to outer ring only.
3. All hardware to be torqued to specs listed in chart below.
4. Special notes if any are shown below.



Customer Service & Parts 800-503-1221  
 General Parts Requests: support@startrac.com  
 Core Health and Fitness, LLC.  
 support.startrac.com

HS WEIGHT STACK SYSTEM

**HUMAN SPORT LAT PULLEY**  
**HSLP2**

REV L

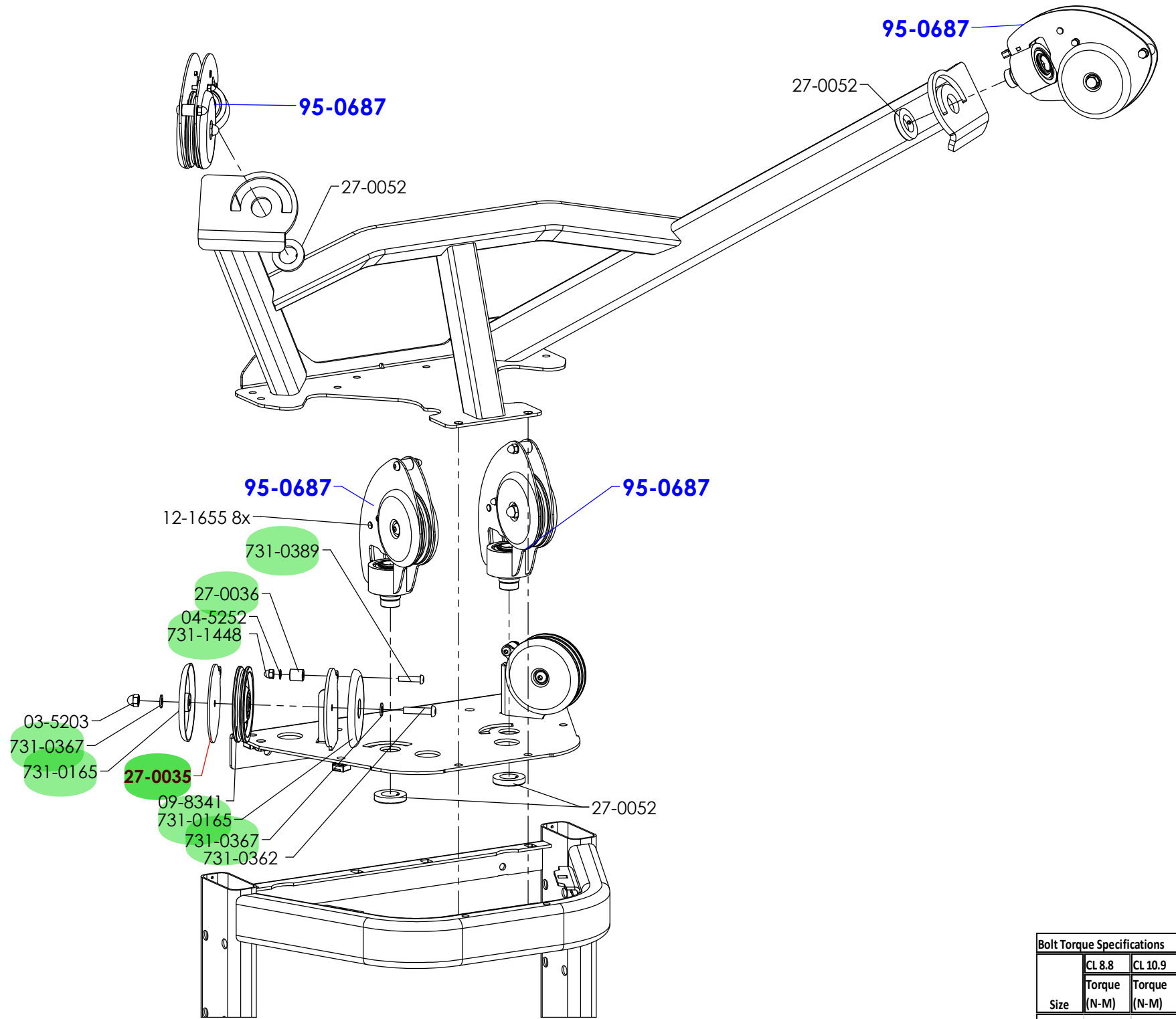
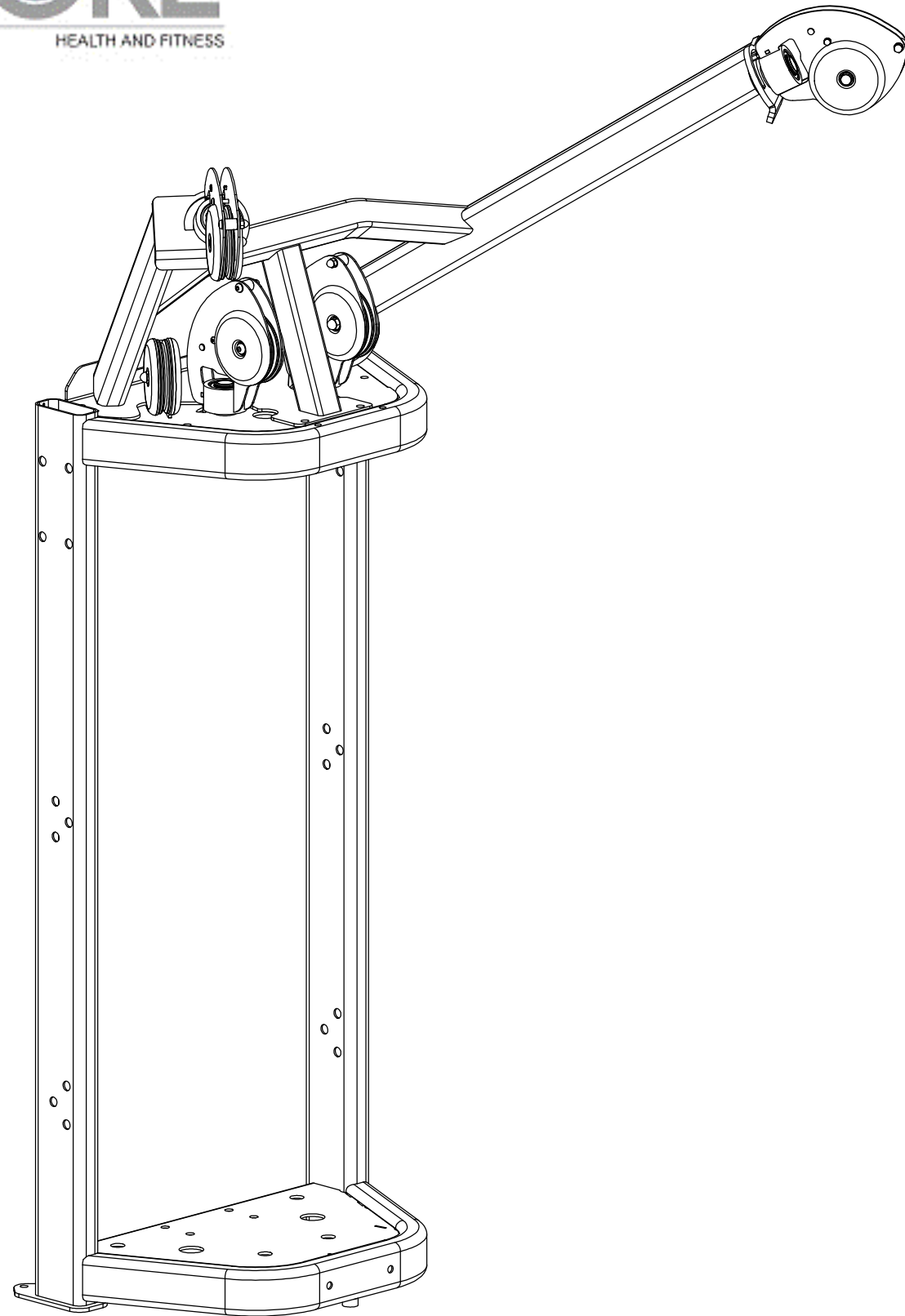




**Red: PAINTED ITEMS**

**Blue: KITS**

1. All labeled components are to be assembled before shipment unless otherwise noted.
2. All bearings are to be pressed in with force applied to outer ring only.
3. All hardware to be torqued to specs listed in chart below.
4. Special notes if any are shown below.



Customer Service & Parts 800-503-1221  
 General Parts Requests: support@startrac.com  
 Core Health and Fitness, LLC.  
[support.startrac.com](http://support.startrac.com)

**HUMAN SPORT LAT PULLEY**  
**HSLP2**

REV L

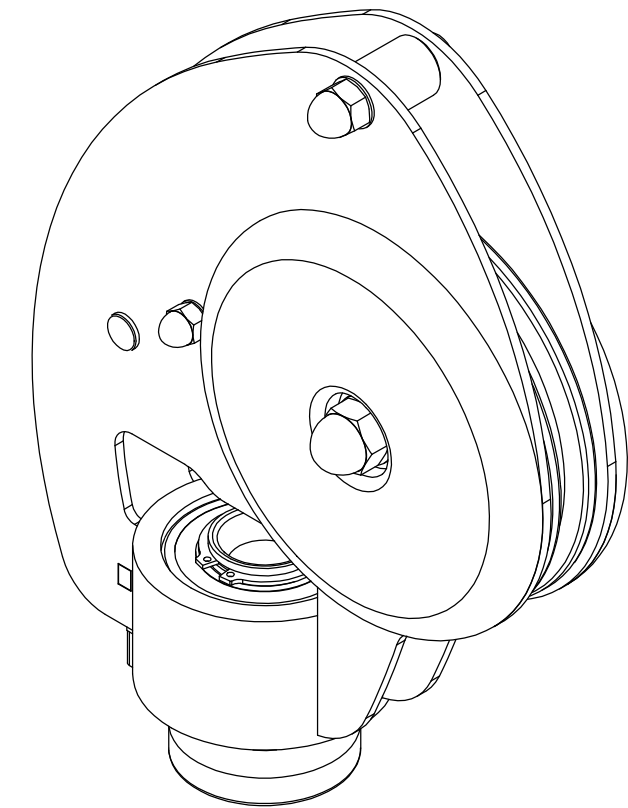
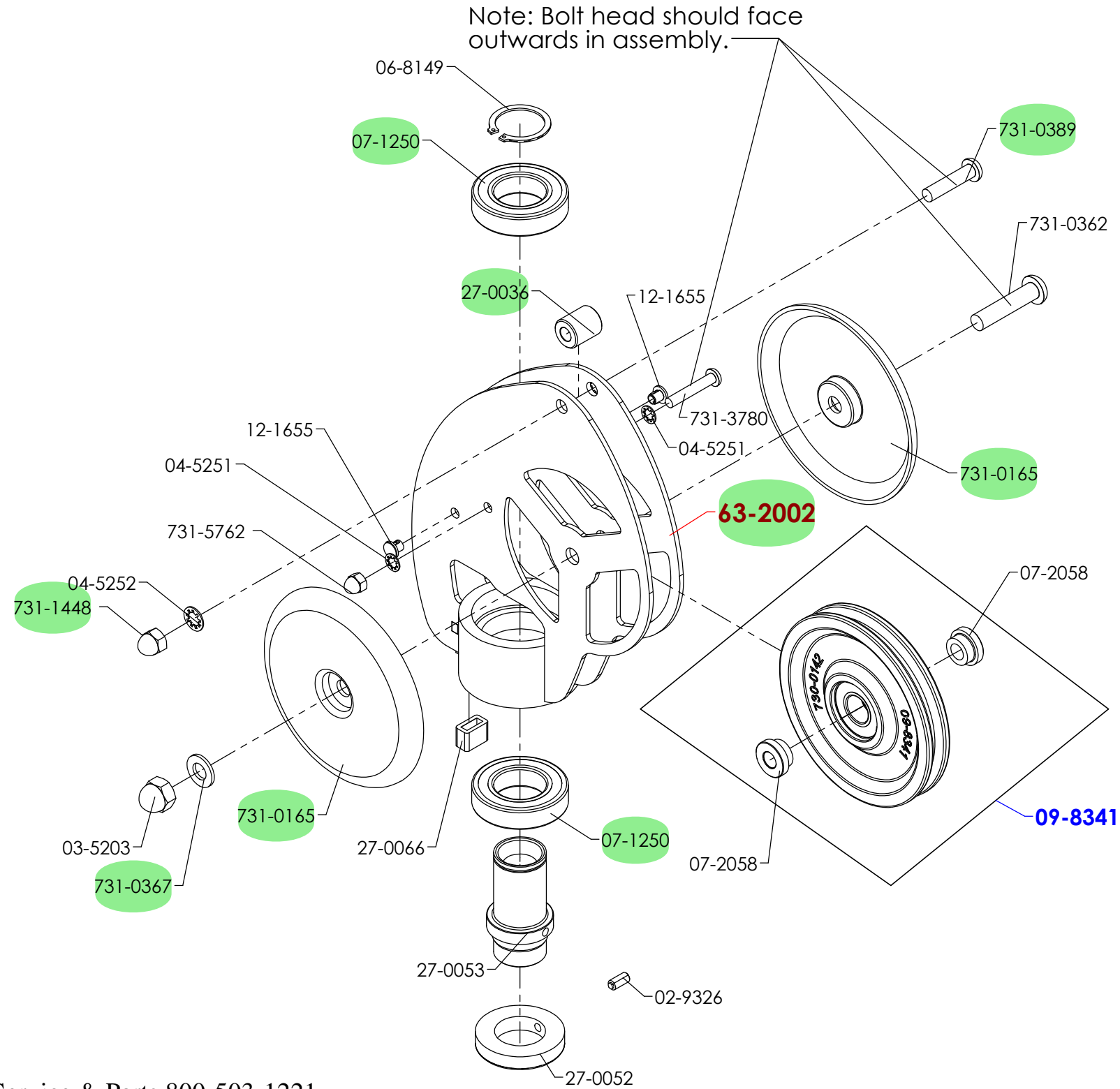
Bolt Torque Specifications		
Size	CL 8.8	CL 10.9
	Torque (N-M)	Torque (N-M)
M4-7	3.1	
M6-1	10.4	15.5
M8-1.25	25	37
M10-1.5	51	75
M12-1.75	87	160
M14-2	140	205

**Red: PAINTED ITEMS**

**Blue: KITS**

1. All labeled components are to be assembled before shipment unless otherwise noted.
2. All bearings are to be pressed in with force applied to outer ring only.
3. All hardware to be torqued to specs listed in chart below.
4. Special notes if any are shown below.

Note: Bolt head should face outwards in assembly.



**95-0687**  
**SWIVEL PULLEY BRACKET ASSEMBLY**

Customer Service & Parts 800-503-1221  
General Parts Requests: support@startrac.com  
Core Health and Fitness, LLC.  
**support.startrac.com**

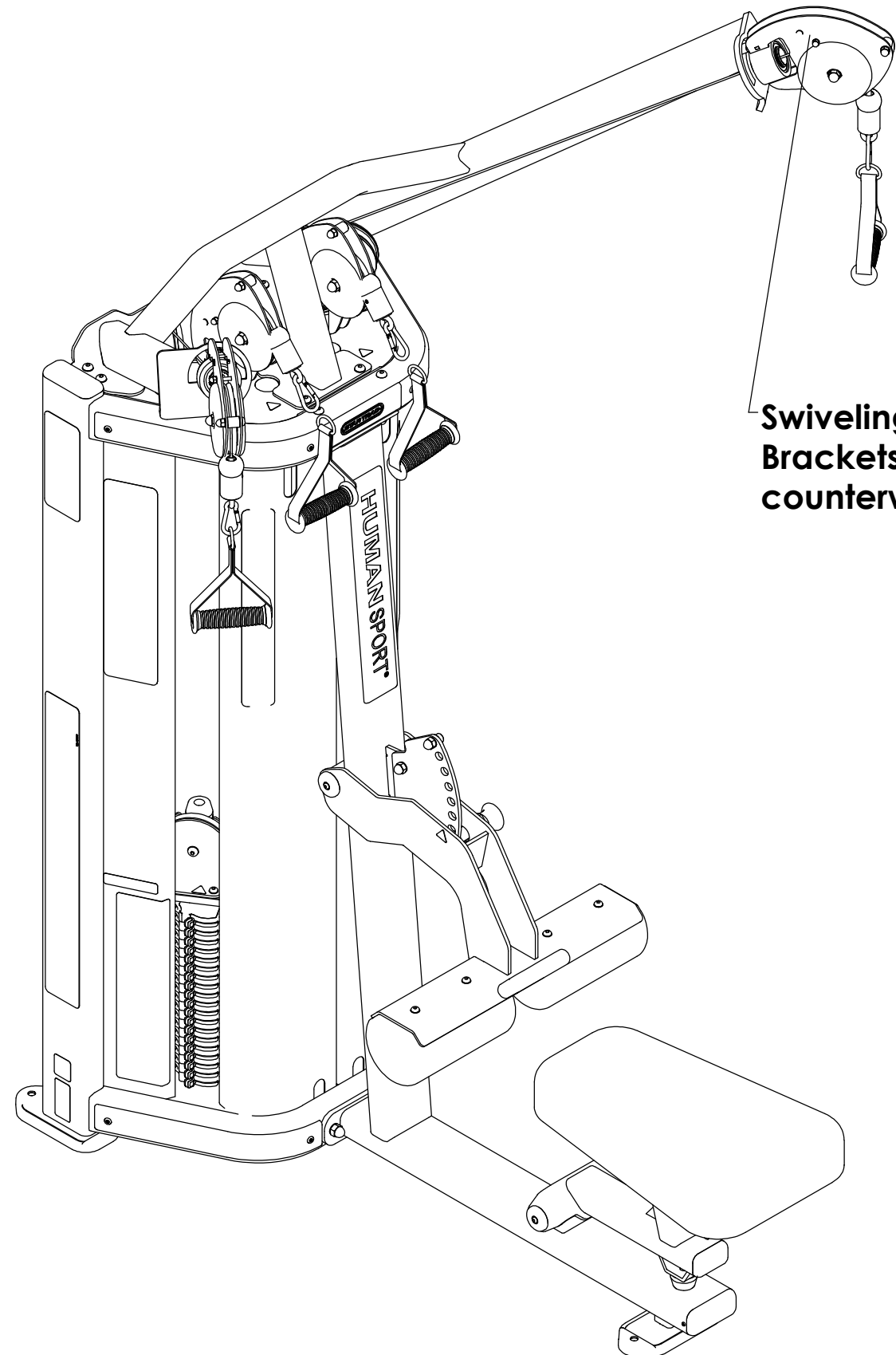
**HUMAN SPORT LAT PULLEY**  
**HSLP2**

REV L

Bolt Torque Specifications		
Size	CL 8.8	CL 10.9
	Torque (N-M)	Torque (N-M)
M4-7	3.1	
M6-1	10.4	15.5
M8-1.25	25	37
M10-1.5	51	75
M12-1.75	87	160
M14-2	140	205

**Red: PAINTED ITEMS**

**Blue: KITS**



Swiveling Pulley Brackets **DO NOT** get counterweights.

**HUMAN SPORT LAT PULLEY:**  
Pulley brackets do not get counterweights.

1. All labeled components are to be assembled before shipment unless otherwise noted.
2. All bearings are to be pressed in with force applied to outer ring only.
3. All hardware to be torqued to specs listed in chart below.
4. Special notes if any are shown below.

Bolt Torque Specifications		
Size	CL 8.8	CL 10.9
	Torque (N-M)	Torque (N-M)
M4-7	3.1	
M6-1	10.4	15.5
M8-1.25	25	37
M10-1.5	51	75
M12-1.75	87	160
M14-2	140	205